

# BS3C

INDUSTRIAL VAPOUR TIGHT  
3 CCT AND POWER SELECTABLE

Visit [www.designlights.org](http://www.designlights.org) to confirm specific DLC model listing

Type: \_\_\_\_\_

Project: \_\_\_\_\_

**Delivered Lumens:**

4ft - 4278lm - 9001lm  
8ft - 9336lm - 16101lm

**Input Wattage:**

4ft - 30W - 65W  
8ft - 65W - 110W

**Efficacy:**

4ft - Up to 147 lm/W  
8ft - Up to 150 lm/W

**Colour Temperatures:**

3CCT Selectable:  
3500K, 4000K or 5000K

**Projected Lumen Maintenance:**

L<sub>70</sub> @ >54,000 hrs.

The **BS3C** features a uniform gasketed seal and reinforced stainless steel clips block the ingress of moisture and dust



The UV-stabilized polycarbonate diffuser eliminates glare and is a frosted LED diffusing pigment lens that assists in the enhancement of even light distribution. The **BS3C** lens is impact-resistant, impervious to rust or rot and is unaffected by extreme temperatures

The **BS3C** is ideal for food processing facilities, commercial kitchens, breweries and bottling facilities, industrial facilities, livestock containment buildings, parking garages, under awnings, exterior retail areas, pedestrian tunnel garages and much more.

## Configurations

MODEL	LENGTH	OPERATION	POWER	COLOUR TEMP	INPUT	MOUNTING	OPTIONS
BS3C	4 (4ft)	[BLANK] (AC only)	<sup>7,10</sup> PS1 (30W, 35W, 42W)	3C (3500K, 4000K, 5000K)	M (120-347V)	[BLANK] (surface mount - std.)	<sup>1,3</sup> OS (Occupancy sensor)
	<sup>8</sup> 8 (8ft)	<sup>3,5,6</sup> SA (EM backup)	<sup>7,11</sup> PS2 (30W, 45W, 65W)		S (120-277V)	<sup>2,4</sup> AC (Aircraft Cable)	<sup>2</sup> DIM (5-wire cable for AC and 0-10V dimming)
			<sup>8,12</sup> PS3 (65W, 75W, 90W, 110W)		C (347V)	<sup>7</sup> PM - Pivot mount	<sup>9</sup> CT-WT (White Cabtire Cord)
			<sup>8</sup> HO (65W)				<sup>9</sup> CT (Black Cabtire Cord)
							<sup>13</sup> SP (10kA surge protection)
							<sup>3</sup> CNH (Center hole 7/8")

**NOTE<sup>1</sup>:** To see available options, please consult the occupancy sensors section; **NOTE<sup>2</sup>:** When selecting AC or DIM option, please also select the cable option whether CT-WT or CT. SA option not compatible with DIM; **NOTE<sup>3</sup>:** When selecting CNH, OS and SA options, the fixture maintains wet location status, however, NEMA 4X and IP rating are not applicable; **NOTE<sup>4</sup>:** Aircraft cable length based on selected power cable length; **NOTE<sup>5</sup>:** Fixture functional in AC mode, when the power goes off emergency driver (SA) powers LED boards. One emergency driver per fixture is standard unless otherwise specified; **NOTE<sup>6</sup>:** Emergency backup only available for 120-277 V; **NOTE<sup>7</sup>:** 4ft model only; **NOTE<sup>8</sup>:** 8ft model only, consult factory; **NOTE<sup>9</sup>:** Must specify 6ft or 10ft; **NOTE<sup>10</sup>:** Default Programming 42W / 4000K; **NOTE<sup>11</sup>:** Default Programming 65W / 4000K; **NOTE<sup>12</sup>:** Default Programming 110W / 4000K; **NOTE<sup>13</sup>:** SP option must select with input S (120-277V) or C (347V).

## Compatible Dimmers

BRAND	MODEL
Leviton	DS710-10Z
	DD710-BDZ
	IP710-LFZ
Lutron	DVSTV-453P
	MAESTRO MS-Z101

**NOTE:** Above dimmers have been tested with BS3C vapour tight. Actual operation and installation of dimmers to comply with dimmer manufacturer's instructions. Consult dimming manufacturer for tech support.

## BS3C Accessories

ORDER CODE	DESCRIPTION
50001201	Replacement Surface Mount Brackets & V-Hooks (set of 2pcs)
50001202	90° surface mounting
<sup>2</sup> 50001203	Tamper Proof Brackets (set of 2pcs)
<sup>3</sup> 50001204	Tamper Proof Brackets (set of 4pcs)
<sup>1,2</sup> 50001205	Junction Box Bracket (set of 1)
<sup>1,3</sup> 50001206	Junction Box Bracket (set of 2)
<sup>2</sup> 50001207	4ft replacement frosted polycarbonate lens
<sup>3</sup> 50001208	8ft replacement frosted polycarbonate lens
<sup>2</sup> 50001209	Stainless steel replacement latch kit with hole (set of 10pcs)
<sup>3</sup> 50001210	Stainless steel replacement latch kit with hole (set of 20pcs)

**NOTE<sup>1</sup>:** Accessory requires additional center hole (CNH) on top of housing. Fixture maintains wet location status, however NEMA 4X and IP ratings are not applicable with CNH; **NOTE<sup>2</sup>:** 4ft model only; **NOTE<sup>3</sup>:** 8ft model only, consult factory

## Pre-Built Inventory

ORDERING CODE	SHORT DESCRIPTION	LONG DESCRIPTION
19000020	BS3C-4-PS1-3C-M	BS3C 3CCT VAPOUR-TIGHT IP66 NEMA 4X RATED AC ONLY 4FT POWER SELECT (30/35/42W) COLOUR SELECT (35/40/50K) 120-347V INPUT
19000021	BS3C-4-PS2-3C-M	BS3C 3CCT VAPOUR-TIGHT IP66 NEMA 4X RATED AC ONLY 4FT POWER SELECT(30/ 45/65W) COLOUR SELECT (35/40/50K) 120-347V INPUT

## BS3C

## Occupancy Sensors

### ON-OFF SENSORS

Detection - On at (Detection Area) % during (Hold Time) min., Off

PART NUMBER	POSITION	VOLTS (V)	TECHNOLOGY	HEIGHT (FT)	DETECTION AREA (%)	HOLD TIME (MIN)	DAYLIGHT MIN LEVEL (LUX)	<sup>2</sup> REMOTE	<sup>3</sup> LOCATION (°C)
<sup>1</sup> OSE-PO-0301	External	120-347	PIR	20-40	100	20	N/A		Dry, -10° to +40°C
OSE-PO-0302	External	120-347	PIR	20-40	100	20	N/A		Dry, -40° to +40°C
OSE-PO-0501	External	120-347	PIR	15-40	100	15	3000	OSI-FSIR-100	Dry, -10° to +40°C
OSE-PO-0502	External	120-347	PIR	15-40	100	15	3000		Dry, -10° to +40°C
OSE-PO-0701	External	120-277	PIR	20	100	15	N/A		Wet, -40° to +40°C
OSI-FO-1601	Internal	120-277	High Frequency	20	100	10	Disable	OSI-RC100	Dry and Wet, -40° to +40°C
OSI-FO-1701	Internal	120-347 (12V)	High Frequency	13	100	10	Disable		Dry and Wet, -20° to +40°C

### BI-LEVEL SENSORS

Detection - On at (Detection Area) % during (Hold Time) min., then (Stand-by Dim level) %

PART NUMBER	POSITION	VOLTS (V)	TECHNOLOGY	HEIGHT (FT)	DETECTION AREA (%)	HOLD TIME (MIN)	STAND-BY DIM LEVEL (%)	DAYLIGHT MIN LEVEL (LUX)	<sup>2</sup> REMOTE	<sup>3</sup> LOCATION (°C)
OSE-FB-0402	External	120-347	High Frequency	50 max.	100	20	30	50	OSI-RC-MH10	Wet, -35° to +40°C
<sup>1</sup> OSI-FB-1601	Internal	120-277	High Frequency	20	100	10	50	Disable	OSI-RC100	Dry and Wet, -40° to +40°C
OSI-FB-1602	Internal	120-277	High Frequency	20	100	10	30	Disable	OSI-RC100	Dry and Wet, -40° to +40°C
OSI-FB-1701	Internal	120-347	High Frequency	13	100	10	50	Disable		Dry and Wet, -20° to +40°C
OSI-FB-1702	Internal	120-347	High Frequency	13	100	10	30	Disable		Dry and Wet, -20° to +40°C

### TRI-LEVEL SENSORS

Detection - On at (Detection Area) % during (Hold Time) min., then (Stand-by Dim level) % during (Stand-by period) min., Off

PART NUMBER	POSITION	VOLTS (V)	TECHNOLOGY	HEIGHT (FT)	DETECTION AREA (%)	HOLD TIME (MIN)	STAND-BY DIM LEVEL (%)	STAND-BY PERIOD (MIN)	DAYLIGHT MIN LEVEL (LUX)	<sup>2</sup> REMOTE	<sup>3</sup> LOCATION (°C)
OSE-FT-0402	External	120-347	High Frequency	50 max.	100	30	30	10	50	OSI-RC-MH10	Wet, -35° to +40°C
OSI-FT-1601	Internal	120-277	High Frequency	20	100	10	30	30	Disable	OSI-RC100	Dry and Wet, -40° to +40°C
OSI-FT-1602	Internal	120-277	High Frequency	20	100	10	30	30	50	OSI-RC100	Dry and Wet, -40° to +40°C
OSI-FT-1701	Internal	120-347	High Frequency	13	100	10	30	30	Disable		Dry and Wet, -20° to +40°C
OSI-FT-1702	Internal	120-347	High Frequency	13	100	10	30	30	50		Dry and Wet, -20° to +40°C

**NOTE<sup>1</sup>:** 4ft model only; **NOTE<sup>2</sup>:** To be ordered separately; **NOTE<sup>3</sup>:** Min and max ambient temperature of the fixture with the specific sensor. Please verify fixture temperature on the first page for compatibility with sensor.

#### HOUSING:

Lightweight, slim and durable impact-resistant polycarbonate construction with a uniform gasket seal and reinforced stainless-steel clips. Predrilled end-holes and two watertight glands are offered with each fixture to preserve the integrity of internal components.

#### MOUNTING OPTIONS:

Surface, suspended or 90° surface mounting. Set of 2 V-hooks and 2 mounting clips included with each fixture for surface or suspended mounting with chain or aviation cable.

#### LENS:

The frosted polycarbonate LED lens provides uniform light distribution and has been UV stabilized to ensure that there is no yellowing over time.

#### ELECTRICAL:

Available in colour-selectable temperatures of 3500K, 4000K or 5000K, the driver operates 120V through 347V and 60HZ. L70 up to 54,000 hours. 2kA surge protection is standard.

#### EMERGENCY BACKUP (SA):

Emergency Lighting remote consumes 11W, 12-24V of DC power and produces up to 1346 Lumens for the 4ft model and up to 2400 Lumens for the 8ft model.

#### OPERATING TEMPERATURE:

AC only: -40°C to +40°C  
SA: 0°C to +25°C

#### SANITATION LISTED:

The **BS3C** is NSF certified for Splash Zone and Non-Food Zone

#### WEIGHT:

4ft – 5.2lbs / 2.4 kilo.  
8ft – 9.8 - 10.5lbs / 4.4 – 4.8 kilo.

#### GEAR TRAY:

The gear tray is attached to the lens for easy access to the internal components when the fixture is in the open position. Colour temperature and desired lumen output can be changed with a simple touch of a button

#### DIMMING:

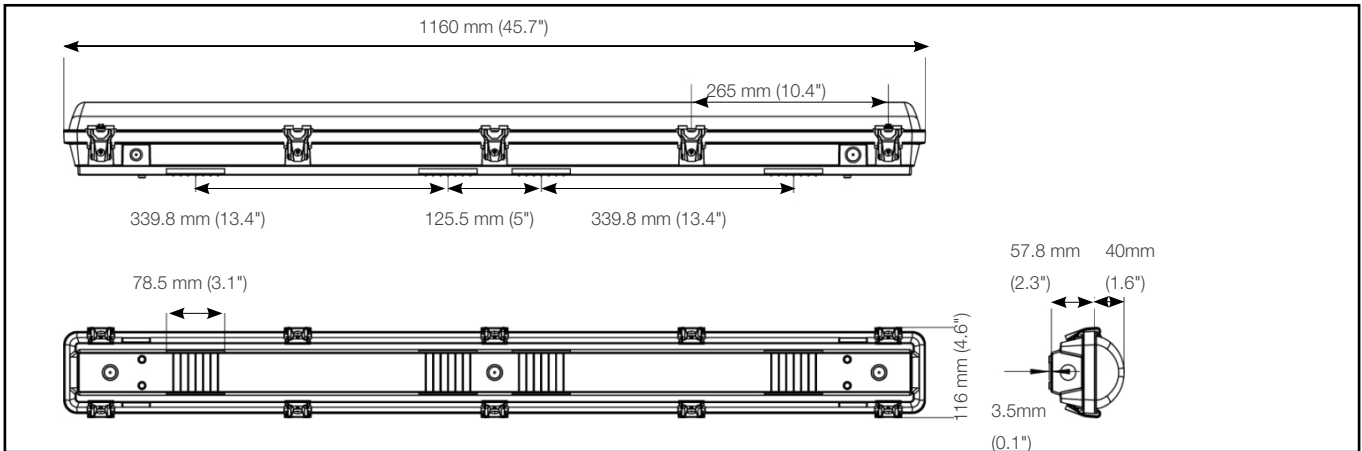
0-10V dimming from 10%-100%. Dimming cables are sold separately.

#### WARRANTY:

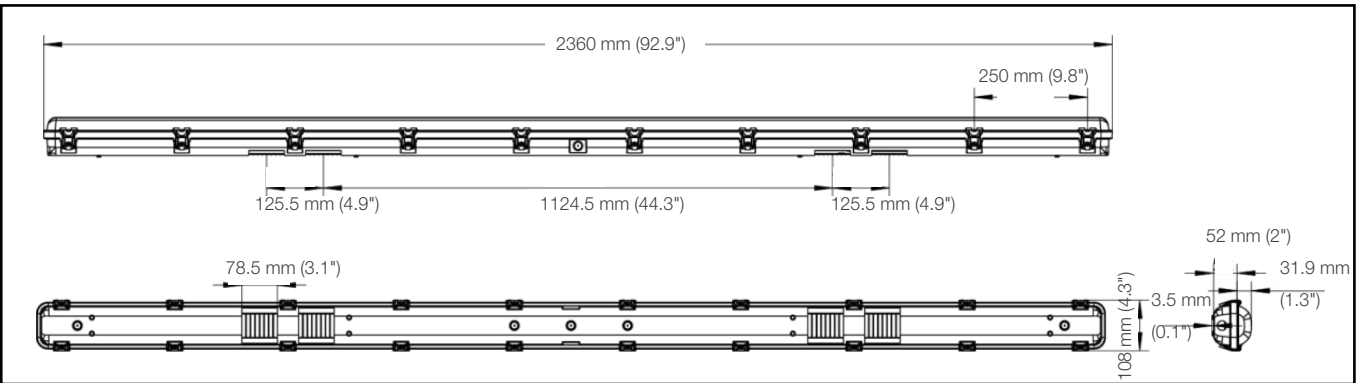
5 year LED warranty, see website for full warranty details.

## Dimensions

### 4FT



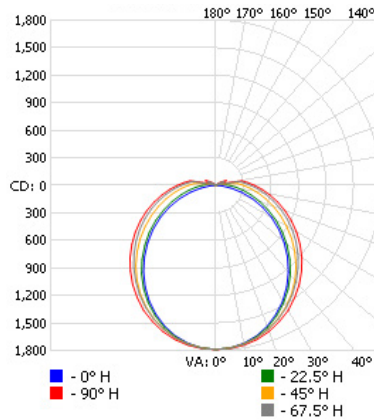
### 8FT



PHOTOMETRIC DATA

#### BS3C-4-PS1-3C-M

Polar candela distribution

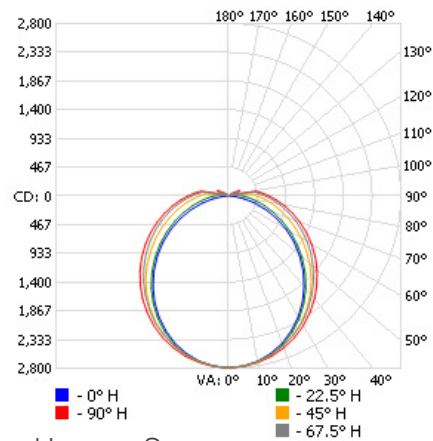


#### Zonal Lumen Summary

ZONE	LUMENS	% LUMINAIRE
0-30	1385.9	22.6%
0-40	2274.4	37%
0-60	4088.8	66.5%
60-90	1671.0	27.2%
70-100	1158.3	18.9%
90-120	346.7	5.6%
0-90	5759.7	93.7%
90-180	384.1	6.3%
0-180	6143.9	100%

#### BS3C-4-PS2-3C-M

Polar candela distribution



#### Zonal Lumen Summary

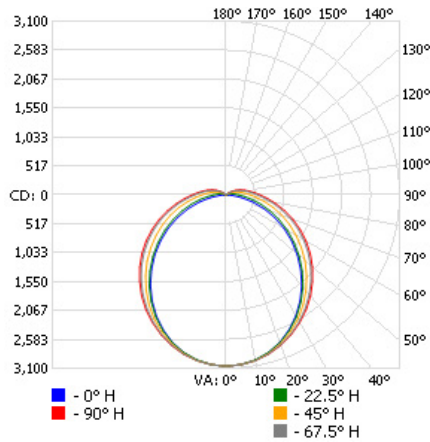
ZONE	LUMENS	% LUMINAIRE
0-30	2154.4	22.7%
0-40	3530.2	31.7%
0-60	6325.3	66.5%
60-90	2575.7	27.1%
70-100	1796.4	18.9%
90-120	545.5	5.7%
0-90	8901.0	93.6%
90-180	607.4	6.4%
0-180	9508.5	100%

BS3C



### BS3C-8-HO-3C-M

Polar candela distribution

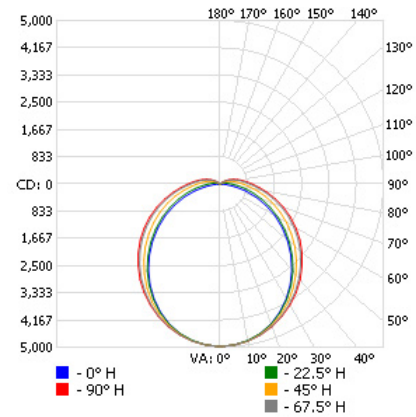


#### Zonal Lumen Summary

ZONE	LUMENS	% LUMINAIRE
0-30	2307.5	22.7%
0-40	3781.5	37.1%
0-60	6784.3	66.6%
60-90	2682.9	26.3%
70-100	1813.7	17.8%
90-120	653.7	6.4%
0-90	9467.2	92.9%
90-180	720.3	7.1%
0-180	10187.4	100%

### BS3C-8-PS3-3C-M

Polar candela distribution



#### Zonal Lumen Summary

ZONE	LUMENS	% LUMINAIRE
0-30	3836.4	23%
0-40	6275.0	37.7%
0-60	11204.1	67.2%
60-90	4318.9	25.9%
70-100	2889.1	17.3%
90-120	1026.8	6.2%
0-90	15523.0	93.1%
90-180	1141.8	6.9%
0-180	16664.9	100%

### Lumen Specification Table

MODEL NUMBER	WATTS (W)	VOLTS (V)	3500 K		4000 K		5000 K	
			LUMEN OUTPUT (LM)	EFFICACY (LM/W)	LUMEN OUTPUT (LM)	EFFICACY (LM/W)	LUMEN OUTPUT (LM)	EFFICACY (LM/W)
BS3C-4-PS1-3C-M	30	120-347	4351	135	4523	140	4443	137
	35	120-347	4860	133	5052	139	4963	136
	42	120-347	5647	132	5870	137	5766	135
BS3C-4-PS2-3C-M	30	120-347	4278	142	4439	147	4288	142
	45	120-347	6154	136	6358	142	6169	137
	65	120-347	8675	133	9001	138	8696	133
BS3C-8-HO-3C-M	65	120-347	9445	146	9622	149	9336	144
	65	120-347	9512	146	9796	150	9651	148
BS3C-8-PS3-3C-M	75	120-347	10824	144	11148	148	10982	146
	90	120-347	12740	141	13121	146	12926	143
	110	120-347	15634	142	16101	146	15862	144

DEFAULT PROGRAMMING: BS3C-4-PS1-3C-M: 42W / 4000K; BS3C-4-PS2-3C-M: 65W / 4000K; BS3C-8-HO-3C-M: 65W / 4000K; BS3C-8-PS3-3C-M: 110W / 4000K.

### DLC ID Table

ORDER CODE	MODEL NUMBER	STAIRWELL AND PASSAGEWAY LUMINAIRES	DIRECT LINEAR AMBIENT LUMINAIRES	LOW-BAY LUMINAIRES FOR COMMERCIAL AND INDUSTRIAL BUILDINGS
19000020	BS3C-4-PS1-3C-M	1S-1581SQ	2S-Y8SRYD	2S-0YRG2J
19000021	BS3C-4-PS2-3C-M	1S-Y0MXTY	2S-Y84KYX	2S-JP151R

NOTE!: DLC Premium; NOTE?: DLC Standard.