



AQUA RM

Weatherproof Running Man

Project Name: _____ Model Number: _____
 Prepared By: _____ Date: _____

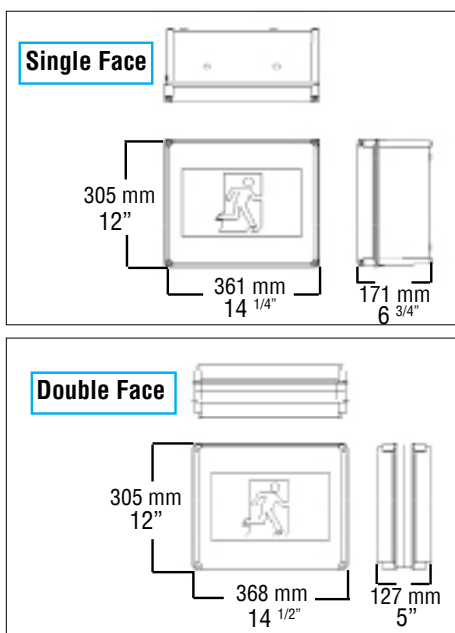
FEATURES & BENEFITS

- AC Only, Self-Powered or Universal DC
- Heater available for cold environments
- Durable and corrosion-resistant fiberglass
- Fully gasketed NEMA 4X housing
- Surface wall, ceiling or end mounting
- AC only and UDC Signs: -20 to +40°C
- Self-powered Sign: +10 to +40°C (With heater option added: -20 to +40°C)
- CSA 22.2 No. 141-15 Performance Certified

EXTERNAL SPECIFICATIONS

The AQUA housing is constructed from durable, corrosion resistant fiberglass. The NEMA 4X housing is fully gasketed for wet location applications and is supplied standard in a grey finish. Four polycarbonate pressure screws firmly hold the polycarbonate lens in place. Wall, ceiling or end mounting configurations are available (ceiling and end mount versions come complete with a factory installed weatherproof steel canopy). Single or double face versions must be specified. The self-powered version comes standard with an external LED status indicator and test switch.

DIMENSIONS



INTERNAL SPECIFICATIONS

AC ONLY: standard 120/347VAC input
 SELF-POWERED: Standard self-powered versions use sealed lead acid batteries to provide a minimum 30 minutes of emergency duration. Optional 90 or 120 minute duration battery is available. Solid state charger and transfer.

BELUCE AUTO-TEST (AT)

The BeLuce auto-test system automatically performs one 5 minute discharge test monthly and every 6 months it performs two full discharge tests, 24 hours apart. This tests both full battery capacity and recharge capability. A manual Test feature is included when the auto-test option is selected. The manual test will run a 30 second, 15 minute or 90 minute test by pressing the correct sequence of the test switch.

UNIVERSAL PICTOGRAMS

The OLR(Universal) option includes: a pictogram with no directional indicators, a pictogram with a left facing directional indicator and a pictogram with a right facing directional indicator.



ORDERING GUIDE

AQ-RM - - - - -

SERIES	OPERATION	LIGHT SOURCE	FACE#	PICTOGRAM	² MOUNTING	OPTIONS
AQ-RM	Blank (AC only) SP (Self-powered)	L (LED)	1 (Single) 2 (Double)	OLR (Universal pictograms) D (Down indicator) U (Up indicator) UR (45° up right) DR (45° down right) UL (45° up left) DL (45° down left)	W (Wall mount no canopy) C (Ceiling mount factory installed) E (End mount factory installed)	WG (Wireguard) ³ IH (Internal heater) AT (Auto-test, SP only) UDC (6 - 24VDC) 90SP (90 min. battery) 120SP (120 min. battery) ¹ TD (Time delay-specify 5, 10, 20 mins) ⁴ 120VDC (Specify 2 or 4 wires) FAI (Fire alarm interface - specify)

NOTE: ¹Two pictograms or OLR must be ordered - specify; ²Mounting must be specified; ³AC Voltage must be specified; ⁴with 120VAC only