



IP66 IK10



# SOLDATO COMBO RM

Hazardous Location Running Man LED Combo

Project Name: \_\_\_\_\_

Model Number: \_\_\_\_\_

Prepared By: \_\_\_\_\_

Date: \_\_\_\_\_

## FEATURES AND BENEFITS

- Hazardous location certified for Class I, Div 2, Groups A, B, C, D, Class II, Div 2, Groups F, G and Class III, Div 2
- Temperature Code T4A
- 2 MR16 LED heads are standard
- Auto-test comes standard
- 120/277/347V 60Hz Input field Selectable
- Low Temperature Input power: 30W
- CSA Certified to C22.2 #141-15
- CSA Certified to C22.2 #137
- CSA Certified to C860-11
- CSA Certified type 2, 3, 3R, 4, 4X, 5, 12 or 12K
- CSA Certified to NSF 2

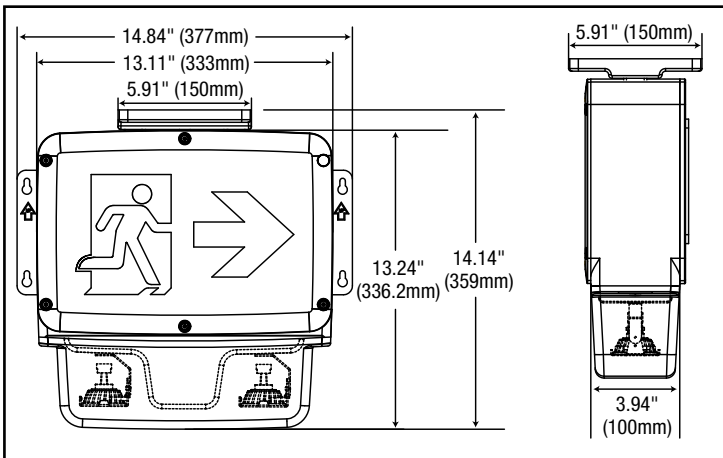
## ELECTRICAL AND CIRCUITRY

- LED ultra bright light source
- 120/277/347V AC 60Hz Input, field selectable
- 30 minutes minimum emergency power duration (depending on selected lamp type)
- Temperature compensated charger
- Diagnostic/pilot LED
- Complete battery recharge in 24 hours
- High efficiency, rapid recovery, precision control charging system
- Magnetic test switch
- Standard automatic-testing self-diagnostic charger board

## MECHANICAL

- One piece, molded and gasketed lens
- Stainless steel tamper proof screws and bits
- Universal spider knockout pattern stamped into backplate for junction box mounting
- Universal models include ceiling or end mount, field installable canopy kit
- Black or white finish

## DIMENSIONS



## STANDARD PICTOGRAMS



OLR Universal Pictogram Option (single face) comes standard with three pictogram legends for direction selection.



L & R Indicator Pictogram Option (double face) comes standard with two pictogram legends.



For double face no arrow options, select "No indicators" on the options column.

## LAMP SELECTION

	6V	12V
LED-MR16	4W, 5W	4W, 5W, 6W, 7W

## ORDERING GUIDE

SOL-HZ-C-RM-

SERIES	OPERATION	WATTS	FACE #	PICTOGRAM	MOUNTING	LAMP	OPTION
SOL-HZ-C-RM	6V 12V	36W 2,450W 272W	1 (Single) 2 (Double)	OLR (Universal pictograms) 30 (No indicators) D (Down indicator) U (Up indicator) UR (45° up right) DR (45° down right) UL (45° up left) DL (45° down left)	U (Universal)	See lamp Selection	AT (Auto-test - Standard) LT (Low temperature -40°C) BB (Black body) WW (White body - Standard)

Standard +10°C to +25°C; **NOTE**<sup>1</sup>: Available only with 6V36W, 12V36W or 12V72W; **NOTE**<sup>2</sup>: Single Face Only; **NOTE**<sup>3</sup>: Double Face Only; **NOTE**<sup>4</sup>: Available only with 6V





IP66 IK10



# SOLDATO COMBO RM

Hazardous Location Running Man LED Combo

## SPACING GUIDE

MOUNTING HEIGHT	SPACING CENTER TO CENTER (FT)			
	4W	5W	6W	7W
8 ft	76	81	94	108
10 ft	79	79	93	106
15 ft	66	62	82	96
20 ft	53	49	73	87

## LUMEN TABLE

WATTS	LUMENS
4W	388
5W	435
6W	507
7W	652

## MODEL RATING GUIDE

MODEL	VOLT (V)	WATTAGE CAPACITIES (W)			
		30MIN	60MIN	90MIN	120MIN
SOL-HZ-U-6-36	6	36	18	12	9
SOL-HZ-U-6-50		50	25	16.5	12.5
SOL-HZ-U-6-72		72	36	24	18
SOL-HZ-U-12-36	12	36	18	12	9
SOL-HZ-U-12-72		72	36	24	18