

BS3C

INDUSTRIAL VAPOUR TIGHT

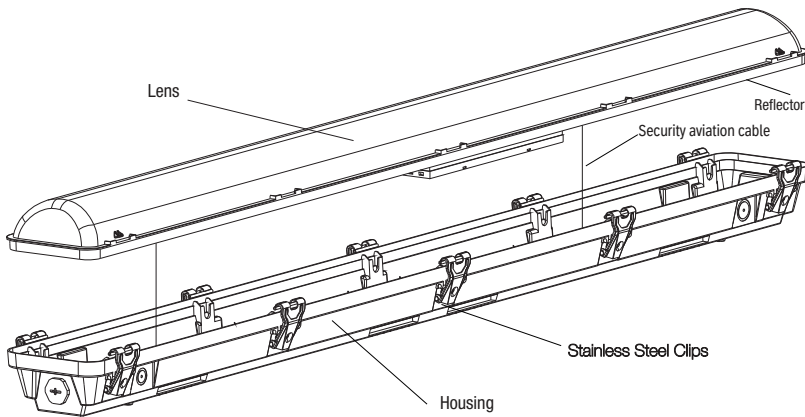
- POWER SELECTABLE: PS1, PS2, PS3 & HO MODELS
- 120 to 347V INPUT
- HT OR SA
- 4FT & 8FT LENGTHS



IP66 IK10



NEMA 4X



EACH MODEL NUMBER CONSISTS OF THE FOLLOWING: SERIES / OPERATION / LED COLOUR TEMP. / INPUT

SERIES:	BS3C
OPERATION:	HT, SA
LED/COLOUR TEMPERATURE:	3C (3500K, 4000K OR 5000K)
INPUT:	120-347V INPUT
WEIGHT:	4FT – 5.2LBS 8FT – 9.8 - 10.5LBS

IMPORTANT SAFEGUARDS

When using electrical equipment, basic safety precautions should always be followed including the following:

READ AND FOLLOW ALL SAFETY INSTRUCTIONS.

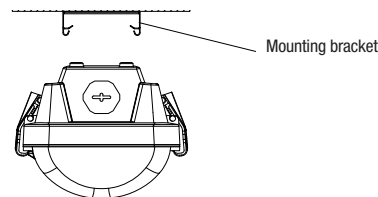
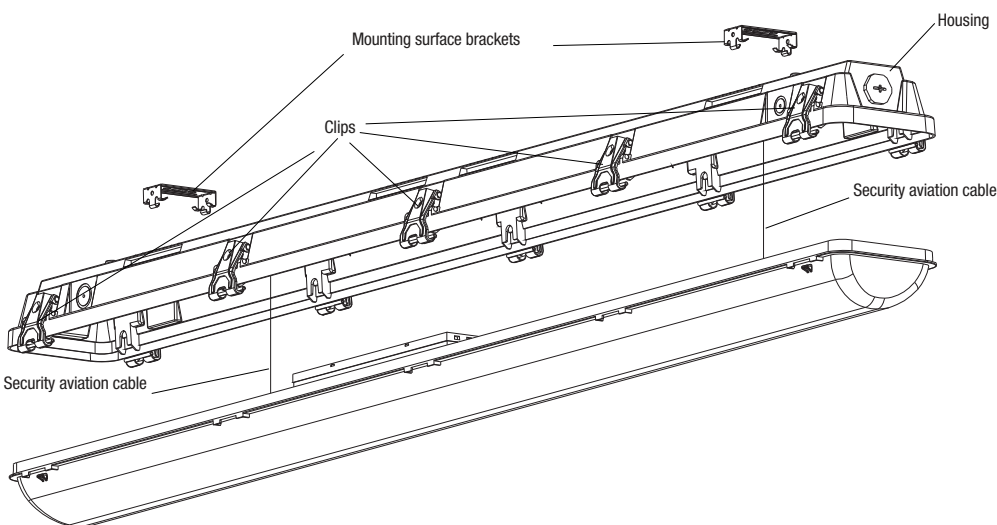
1. Do not let power cords touch hot surfaces.
 2. Do not mount near gas or electric heaters.
 3. Always mount equipment in a location that is not subjected to tampering by unauthorized personnel.
 4. The use of accessory equipment not recommended by BeLuCe Canada Inc., may cause an unsafe condition, and will void the warranty.
 5. Do not use this equipment other than its intended purpose.
 6. Servicing of this equipment should be performed by qualified service personnel.
 7. Disconnect the Electrical supply power at the services panel (fuse or circuit breaker box). Failure to do so could result in serious injury.
 8. Only qualified electricians should install this luminaire and the installation MUST be conform to the Canadian Electrical Code Part I, NEC and any local codes and ordinances.
 9. Makes sure you have the proper tools and materials to complete the installation before attempting to install the luminaire.
- SAVE THESE INSTRUCTIONS!**

WARNING

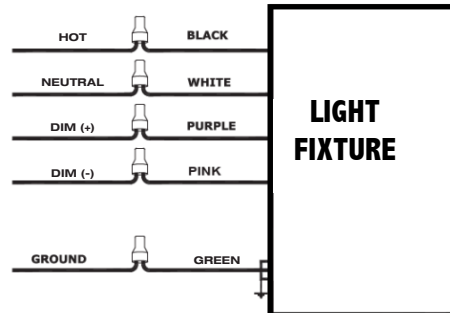
No user serviceable parts. Refer service to a qualified service technician. Read instructions prior to installing and/or operating this device. Installation should be performed by a licensed electrician/installer in accordance with local codes.

SURFACE MOUNT & WIRING DIAGRAM

1. Install the two mounting surface brackets directly to the surface by using suitable anchors and screws (see drill patterns dimensions in (Dimensions and Drill Patterns)).
 2. Open the luminaire by unlatching the stainless steel clips.
 3. Remove the lens and reflector assembly.
 4. Remove and reverse the cable gland located at one end of the housing. Insert the flexible power cable (not included) through the cable gland allowing for sufficient length of stripped cable inside the housing and tighten the cable gland.
 5. Make electrical wire connections (refer to WIRING DIAGRAM).
 6. Secure lens and reflector assembly to the housing by clamping stainless steel clips down. Be careful not to pinch the wires.
 7. Push the housing into surface mounting brackets as shown below.
- Ensure that the housing is secure to surface mounting brackets.



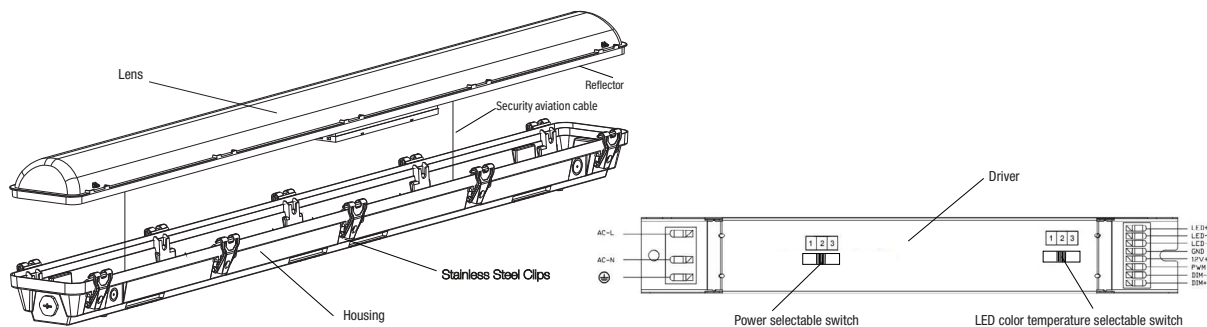
WIRING DIAGRAM



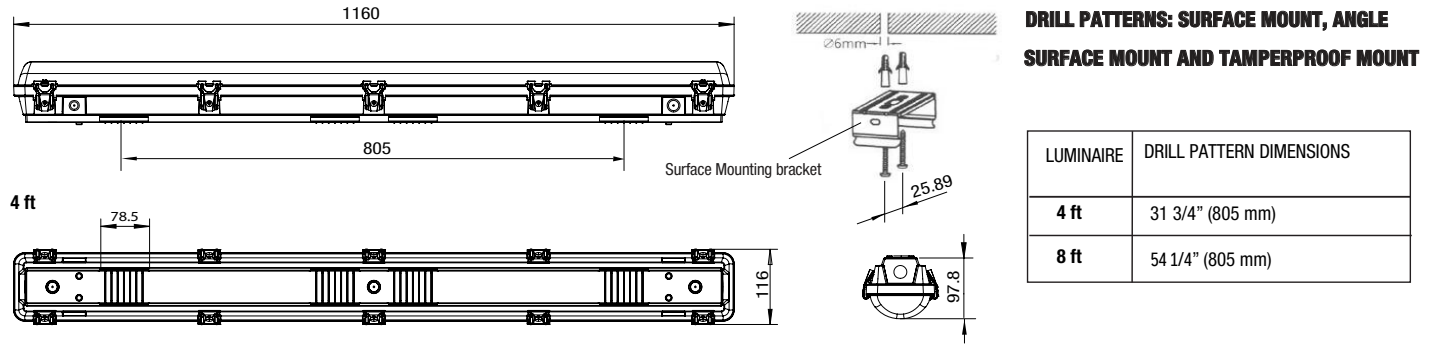
POWER AND COLOUR TEMPERATURE SELECTION

1. Open the luminaire by unlatching the stainless steel clips.
2. Locate the driver on the back reflector plate and select the desired power and LED colour temperature using the switches as shown in detail below.

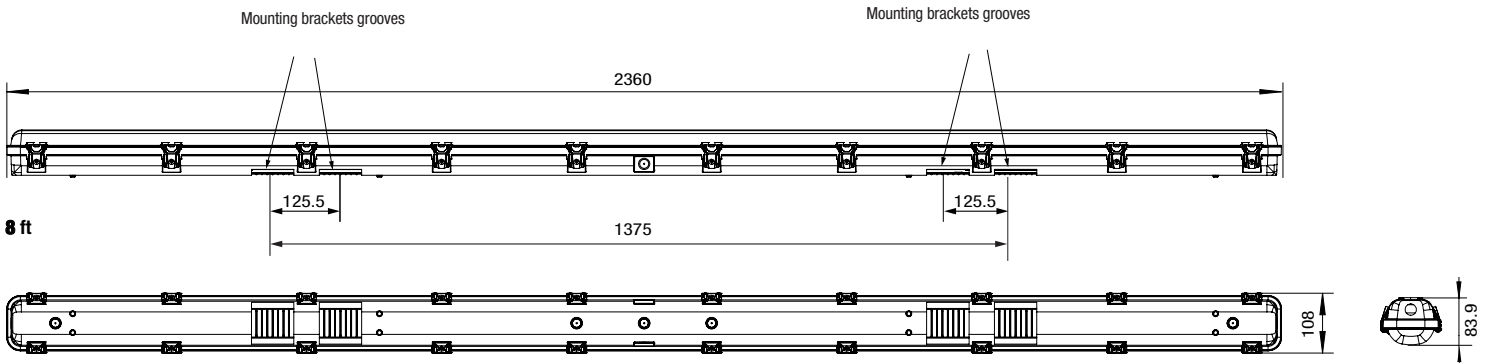
Default settings: Maximum power and color temperature of LEDs at 4000K.



DIMENSIONS AND DRILL PATTERNS

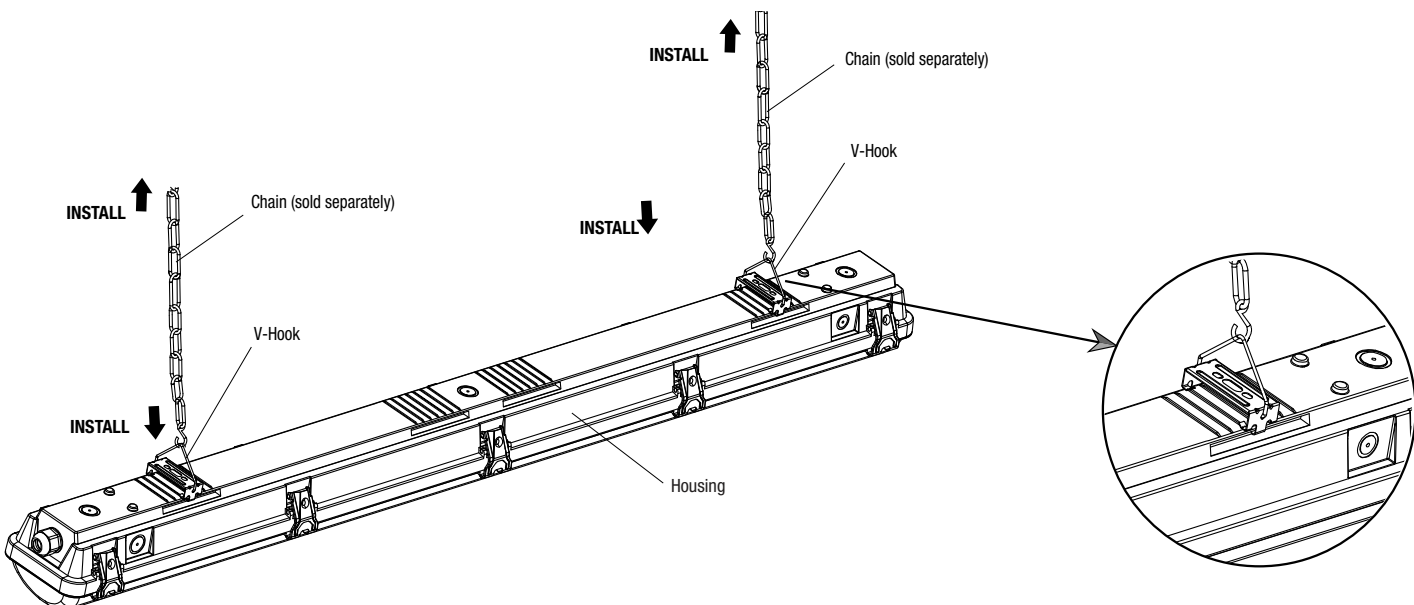


NOTE: Dimmensions in mm



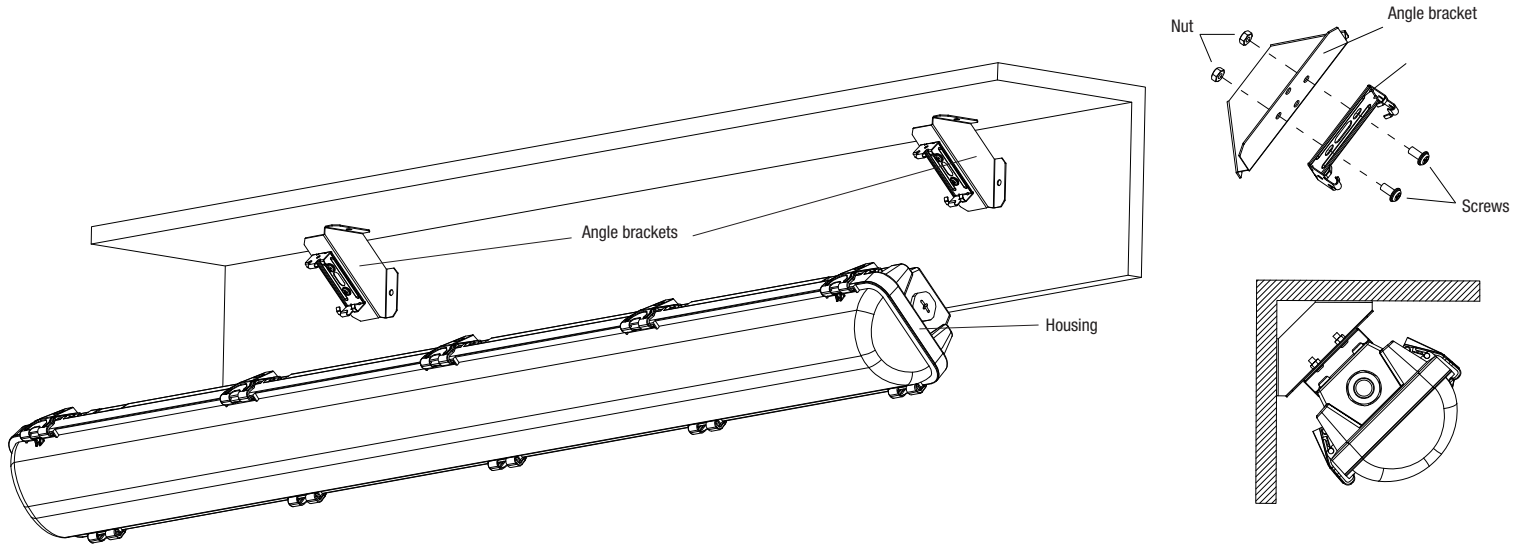
SUSPENSION MOUNT

1. Secure surface mounting brackets to the housing as shown below.
2. Install V-Hooks on surface mounting bracket as shown below.
3. To suspend the housing, connect each V-Hook to two equal lengths of chain (not supplied) and/or appropriate hardware (by others) suitable for mounting surface. Chains must be suitable to support four (4) times the weight of the fixture.
4. Make electrical wire connections (see **WIRING DIAGRAM** in Surface Mount and Wiring Diagram).



ANGLE SURFACE MOUNT

1. Use screws and nuts to secure the angle brackets to surface mounting brackets as shown below. See the drill patterns dimensions as shown in Dimensions and Drill Patterns.
2. Use appropriate mounting hardware to secure the angle bracket to mounting surface as shown below.
3. Make electrical wire connections (see WIRING DIAGRAM in Surface Mount and Wiring Diagram).
4. Snap the housing onto the surface mounting brackets as shown in below.



TAMPERPROOF MOUNTING

1. Use appropriate mounting hardware to secure the tamper proof bracket to mounting surface. (See the drill patterns dimensions in Dimensions and Drill Patterns)
2. Push the housing into the tamper proof brackets as shown below and fasten onto lens grooves.
3. Secure the housing onto tamper proof brackets with provided screws (two per bracket) as shown below.
4. Make electrical wires connections (see WIRING DIAGRAM in Surface Mount and Wiring Diagram).

