

INSTRUCTIONS

IMPORTANT SAFEGUARDS

When using electrical equipment, basic safety precautions should always be followed including the following:

1. **READ AND FOLLOW ALL SAFETY INSTRUCTIONS**
2. Disconnect power before performing work on electrical equipment.
3. Do not let power cords touch hot surfaces and do not mount near gas or electric heaters.
4. Use caution when servicing batteries. Battery acid can cause burns to skin and eyes. If acid is spilled on skin or eyes, flush with fresh water and contact a physician immediately.
5. Equipment should be mounted in locations and at heights where unauthorized personnel will not readily subject it to tampering.
6. The use of accessory equipment not recommended by BeLuce Canada Inc. as it may cause an unsafe condition, and will void the unit's warranty.
7. Do not use this equipment for other than its intended purpose.
8. Servicing of this equipment should be performed by qualified service personnel.
9. **SAVE THESE INSTRUCTIONS!**

INSTALLATION

SIGN ONLY (120VAC 6W LED LAMP) – Emergency power by generator / inverter supplied by customer

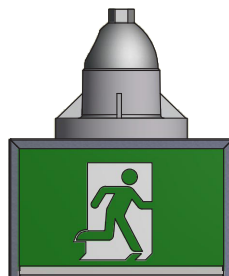
CEILING MOUNT

Figure 1



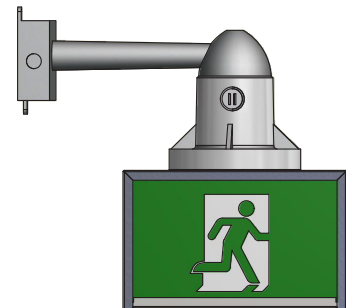
PENDANT MOUNT

Figure 2



WALL MOUNT

Figure 3



1. **Product is heavy!** Mount the unit securely using appropriate mounting hardware (supplied by others) which will sustain the product's weight.
2. Select and change to directional running man faceplate as required.
3. Connect and seal appropriately rated conduit to the wire-access hole, and route necessary wires through.
4. Open inspection hole and make electrical connections. Voltage rating on product label must match output DC voltage rating of connected emergency battery unit. CAUTION: Ensure correct polarity, check wire labels
5. Close inspection hole.
6. Turn on power source to test lamps.

Note: lamp head differs based on hazardous classification

SIGN (12 OR 24V AC/DC 4W LAMP) + TRANSFER PANEL WITH HAZARDOUS ENCOLOSURE

Figure 4

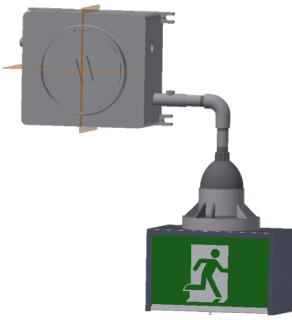
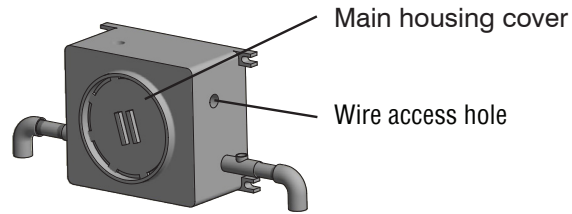
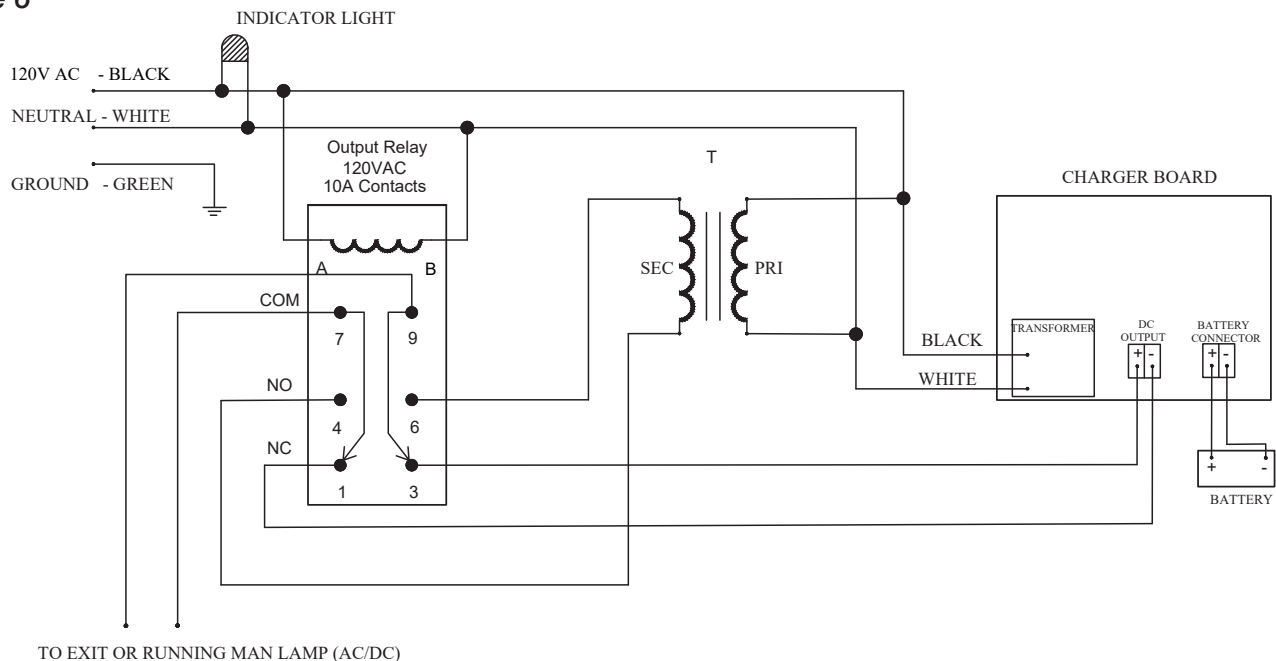


Figure 5



1. Orient the unit or wall or ceiling mount by turning the stems (figure 4).
2. Product is heavy! Mount the unit securely using appropriate mounting hardware (supplied by others) which will sustain the product's weight.
3. Select and change to directional running man faceplate as required.
4. Open the main housing cover, and unplug the wire-access hole (figure 5).
5. Connect and seal appropriately rated conduit to the wire-access hole, and route necessary wires through.
6. Make electrical connections; see wiring diagram (figure 6)
 - Complete connection between batteries and circuit board.
 - CAUTION: Ensure correct polarity. A one-time polarity mismatch will damage circuit board.**
 - Connect 120V AC supply wires. Separately insulate exposed ends of unused wires!
7. Re-attach the main housing cover.
8. Turn ON AC supply.

Figure 6



SIGN (12 OR 24V AC/DC 4W LAMP) + TRANSFER PANEL WITH NON-HAZARDOUS ENCLOSURE

1. Mount the sign unit just as the "SIGN ONLY" version above (figure 1, 2, or 3)
2. Select and change to directional running man faceplate as required.
3. Route wires from sign unit to the transfer panel placed in a non-hazardous location.
4. Open transfer panel cover and make electrical connections (figure 6).
 - Complete connection between batteries and circuit board.
 - CAUTION: Ensure correct polarity. A one-time polarity mismatch will damage circuit board.**
 - Connect 120V AC supply wires. Separately insulate exposed ends of unused wires!
5. Close transfer panel cover.
6. Turn ON AC supply.

SAVE THESE INSTRUCTIONS