

INSTRUCTIONS IMPORTANT SAFEGUARDS

When using electrical equipment, basic safety precautions should always be followed including the following:

1. **READ AND FOLLOW ALL SAFETY INSTRUCTIONS**
2. Disconnect power before performing work on electrical equipment
3. Do not use outdoors
4. Do not let power cords touch hot surfaces and do not mount near gas or electric heaters.
5. Use caution when servicing batteries. Battery acid can cause burns to skin and eyes. If acid is spilled on skin or eyes, flush with fresh water and contact a physician immediately.
6. Equipment should be mounted in locations and at heights where unauthorized personnel will not readily subject it to tampering.
7. The use of accessory equipment not recommended by BeLuce Canada Inc., may cause an unsafe condition, and will void the unit's warranty.
8. Do not use this equipment for other than its intended purpose.
9. Servicing of this equipment should be performed by qualified service personnel.
10. **CAUTION:** Halogen lamps may be used in this equipment. Dispose of lamp with care. To avoid shattering: Do not use lamp in excess of rated voltage, protect lamp against abrasion, scratches and against liquids when lamp is operating. Halogen lamps operate at high temperatures: Do not store or place flammable materials near lamp.
11. **SAVE THESE INSTRUCTIONS!**

INSTALLATION

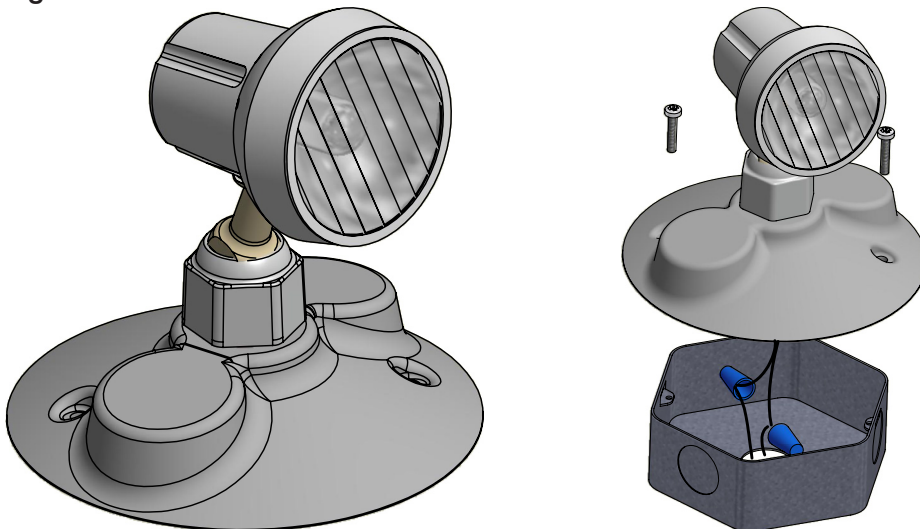
(See Figure 1): SR UNIT

1. Carefully unpack the unit from the box.
2. The fixture is supplied complete with canopy for wall or ceiling mount.
3. Extend unswitched supply of DC voltage to junction box (supplied by others) from terminals on charger board of battery unit (if applicable) or other supply of DC voltage of 6V, 12V or 24V.
4. Connect back-up battery voltage supply to Positive (Yellow +) and Negative (Purple -) wires inside junction box. Cap wire connections using wire nuts inside the junction box.
5. Secure the remote head using two screw hold slots on canopy. The two screw hole slots are designed to mate with standard style junction box.
6. Restore DC power to ensure operation of remote heads.

MAINTENANCE

1. Clean lenses on a regular basis.
NOTE: The servicing of any parts should be performed by qualified service personnel only. The use of replacement parts not furnished by BeLuce Canada Inc., may cause equipment failure and will void the warranty.

Figure 1



CHANGING MR16 LED LAMPS

(See Figure 2-5): SR UNIT WITH MR16 LED LAMP

1. Use a screwdriver with a flat tip to bend back one of the three prongs in front of the lamp (Figure 2).
2. Repeat for the remaining two prongs until the remote head resembles (Figure 3).
3. After all the prongs are bent back, the lamp can be pulled out and disconnected from the lamp socket (Figure 4).
4. To put a new LED lamp back into its casing, plug in the lamp to the socket, align the lamp into the centre of the casing (Figure 5) and push inward until all three prongs are “clicked” back into position.

Figure 2



Figure 3



Figure 4



Figure 5

