
INSTRUCTIONS

IMPORTANT SAFEGUARDS

When using electrical equipment, basic safety precautions should always be followed including the following:

- 1. READ AND FOLLOW ALL SAFETY INSTRUCTIONS**
 2. Disconnect power before performing work on electrical equipment.
 3. Do not use outdoors.
 4. Do not let power cords touch hot surfaces and do not mount near gas or electric heaters.
 5. Use caution when servicing batteries. Battery acid can cause burns to skin and eyes. If acid is spilled on skin or eyes, flush with fresh water and contact a physician immediately.
 6. Equipment should be mounted in locations and at heights where unauthorized personnel will not readily subject it to tampering.
 7. The use of accessory equipment not recommended by BeLuce Canada Inc. as it may cause an unsafe condition, and will void the unit's warranty.
 8. Do not use this equipment for other than its intended purpose.
 9. Servicing of this equipment should be performed by qualified service personnel.
 - 10. SAVE THESE INSTRUCTIONS!**
-

INSTALLATION

This fixture is suitable for wall mounting, end mounting, ceiling mounting.

For all mounting types, attach crossbar to junction box.

WALL MOUNTING:

1. Open front cover using a flat screwdriver (figure 1).
2. Drill the appropriate mounting holes into the back plate (figure 2).
3. Route the proper wire through entry hole. Make electrical connections inside the junction box as per wiring diagram (figure 6).
Push excess wire into junction box.
4. Mount back plate to junction box. Put back the front panel on unit.
5. If default pictogram direction is not suitable, reverse pictogram or use the replacement provided (figure 3).

END AND CEILING MOUNTING (figures 4 & 5)

1. For ceiling and end mounting, knock out the mounting hole on the top or end of the unit.
2. Insert canopy into housing at 20° angle and twist it to lock firmly (figure 4/5).
3. Route the proper wires through mounting hole out of housing. Make electrical connections inside the junction box as per wiring diagram (figure 6). Push excess wire into junction box.
4. Use screws to fasten canopy to crossbar and tightly against the mount surface.
5. If default pictogram direction is not suitable, reverse pictogram or use the replacement provided (figure 3).

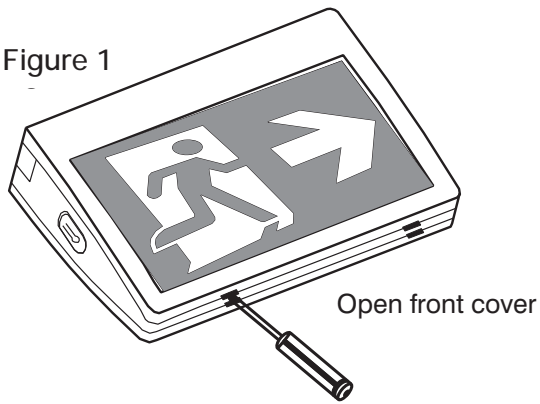
Allow 24-hours recharge time after installation or power failure for full-load testing.

This equipment is furnished with a sophisticated low voltage battery dropout circuit to protect the battery from over-discharge after it's useful output has been used.

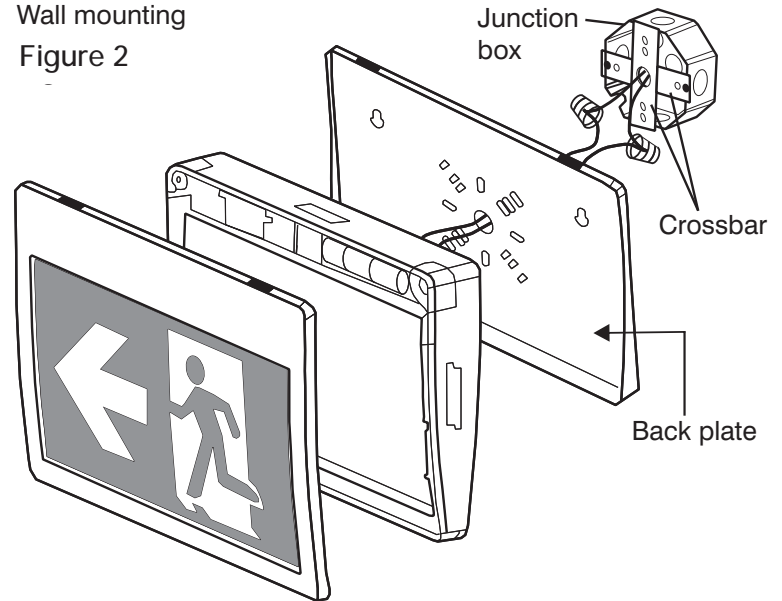
MAINTENANCE

1. BeLuce recommends that the equipment be tested and that written records be maintained according to the local building code.
2. The equipment is to be repaired whenever the equipment fails to operate as intended during the duration test.
3. Clean faceplates/lenses on a regular basis

Figure 1

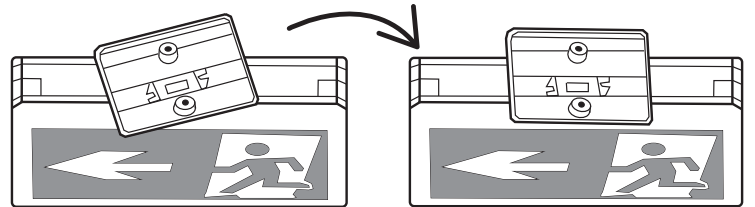
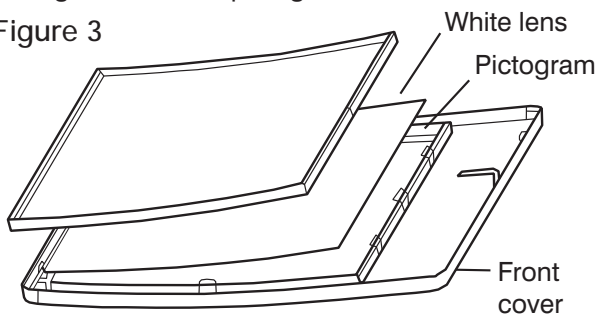


Wall mounting
Figure 2



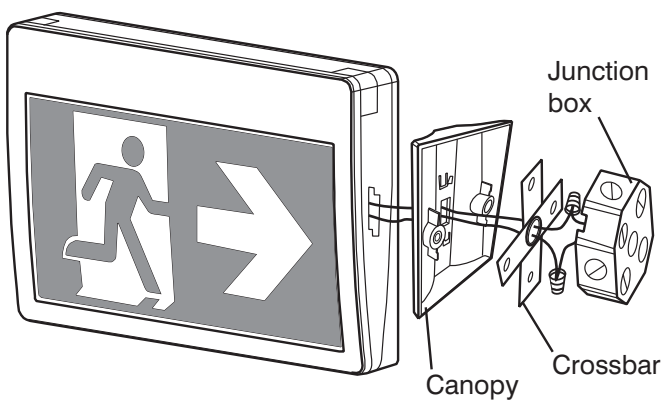
Change direction of pictogram

Figure 3



CAUTION: Trying to remove canopy after it is locked in place may cause damage.

End mounting
Figure 4



Ceiling mounting
Figure 5

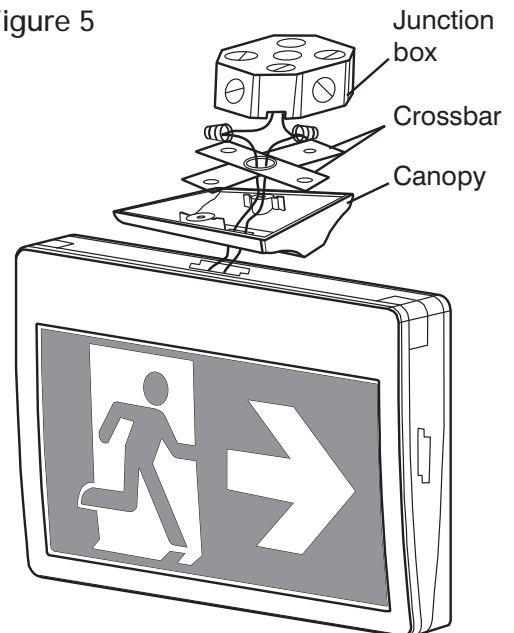


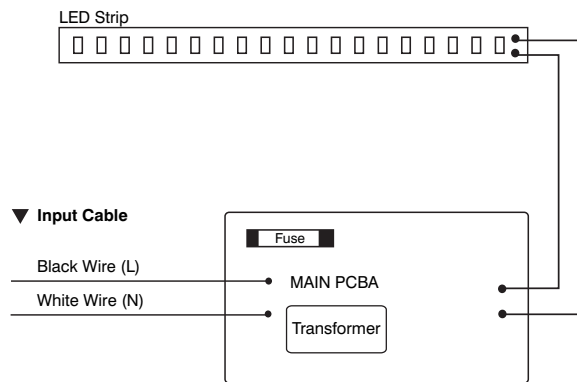
Figure 6

Wiring Diagram

AC Supply Voltage: 120-347VAC 50/60Hz

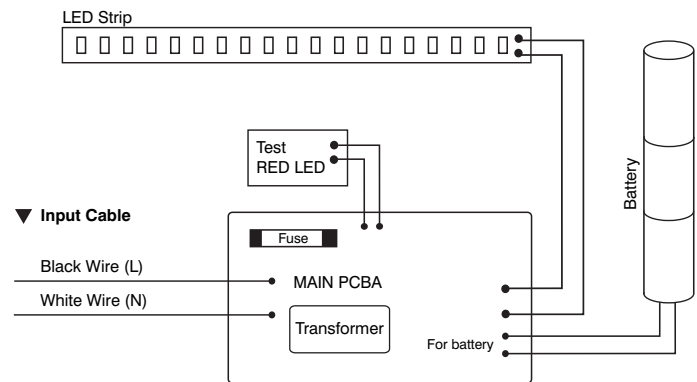
AC Only

Model #: VE2-RM-L-U-0LR-M



Self-Powered

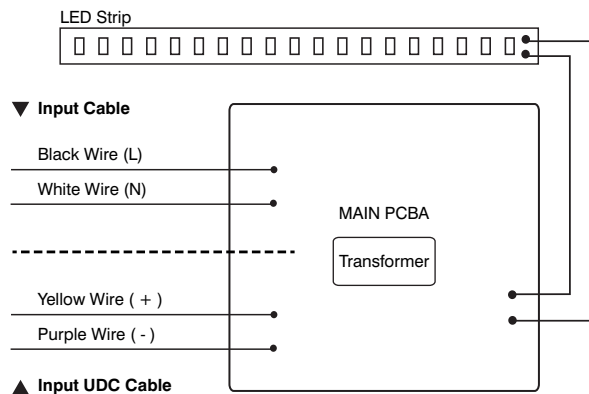
Model #: VE2-RM-SP-L-U-0LR-M



UDC

Model #: VE2-RM-L-U-0LR-M-UDC

Yellow wire: 6V to 24V/DC positive(+)
Purple wire: Negative(-).



TROUBLESHOOTING

IF THE EMERGENCY LIGHTING FIXTURE IS EXPERIENCING ONE OF THE FOLLOWING PROBLEMS:

- The LED indicator is off or displaying the wrong status.
- The LED strip is on during AC power, but there is no emergency backup function.
- The LED strip is on, but the battery is not charging (battery voltage is low).

PERFORM A HARD RESET ON THE BATTERY AND CHARGER BOARD Steps to Perform a Hard Reset:

1. **Disconnect AC Power:** Turn off the AC power supply to the emergency lighting fixture.
2. **Unplug the Battery:** Safely disconnect the battery pack from the charger board.
3. **Wait for 10 Seconds:** Allow the system to completely discharge by waiting a minimum of 10 seconds.
4. **Reconnect Power:** Plug the battery pack back into the charger board.
5. **Restore the AC power** to the fixture.
6. **Verify the Reset:**
 - I. Check that the LED indicator is functioning correctly.
 - II. Ensure that the battery is charging and the emergency backup function is operational.

NOTE: If the issue persists after performing the hard reset, further inspection of the fixture or professional assistance may be required.

SAVE THESE INSTRUCTIONS

BeLuce Canada Inc., 3900 14th Avenue, Unit 1, Markham, ON L3R 4R3 P: (905) 948-9500 F: (905) 948-8673